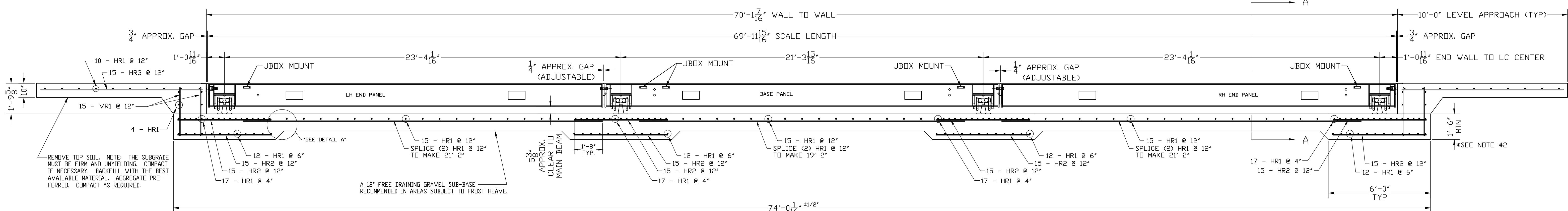


INSTALL (2) 3/4" x 8'-0" LONG GROUND RODS (TO PROJECT 3")
 ONE FOR GROUNDING INTALDIX POWER SUPPLY,
 ONE FOR GROUNDING SCALE WEIGHBRIDGE.
 POWER SUPPLY GROUND MUST BE SEPARATE FROM WEIGHBRIDGE
 GROUND. TWO GROUND RODS ARE SUPPLIED WITH SCALE.

1" MIN. CONDUIT (BY OTHERS) FOR CABLE FROM
 JUNCTION BOX TO SCALEHOUSE. CONDUIT TO
 EXTEND 2" ABOVE THE TOP OF PIER.

PLAN VIEW

N.I.S.T. H-44 REQUIRES THAT ON THE APPROACH ENDS
 OF THIS VEHICLE SCALE, THERE SHALL BE A STRAIGHT
 APPROACH AT LEAST HALF THE LENGTH OF THE PLATFORM,
 BUT NOT REQUIRED TO BE MORE THAN 40 FEET. NOT LESS
 THAN 10 FEET OF ANY APPROACH ADJACENT TO THE PLATFORM
 SHALL BE LEVEL AND CONSTRUCTED OF CONCRETE OR
 SIMILAR DURABLE MATERIAL. ANY SLOPE IN THE REMAINING
 PORTION OF THE APPROACH SHALL ENSURE EASE OF
 VEHICLE ACCESS, EASE FOR TESTING PURPOSES, AND
 DRAINAGE AWAY FROM THE SCALE.

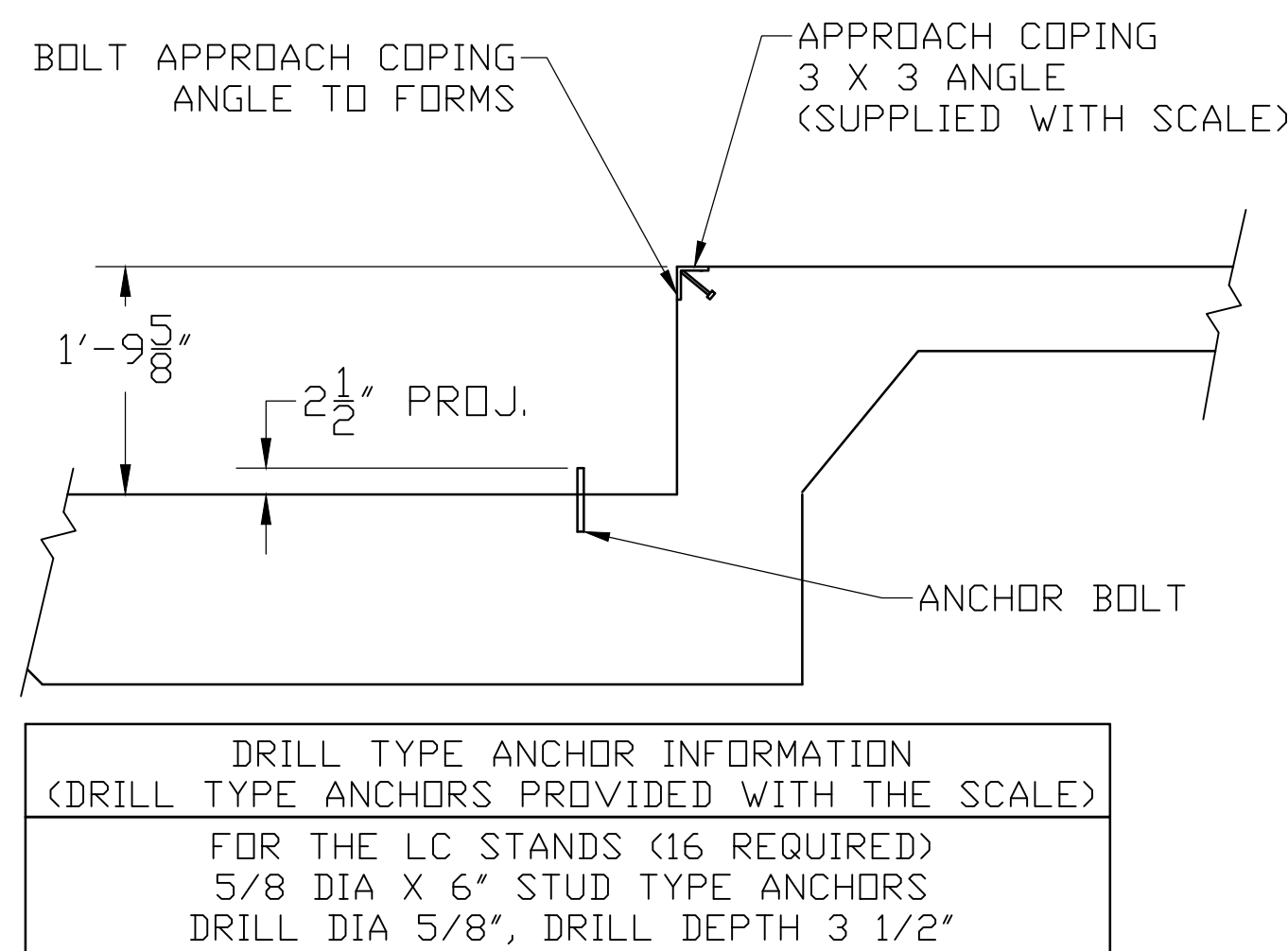


ELEVATION SECTION

FOUNDATION CONCRETE REQUIREMENTS 4000 P.S.I.	
AREA	QUANTITIES
SLAB AS SHOWN	48 CU. YD.
APPROACHES	12 CU. YD.
TOTAL	60 CU. YD.

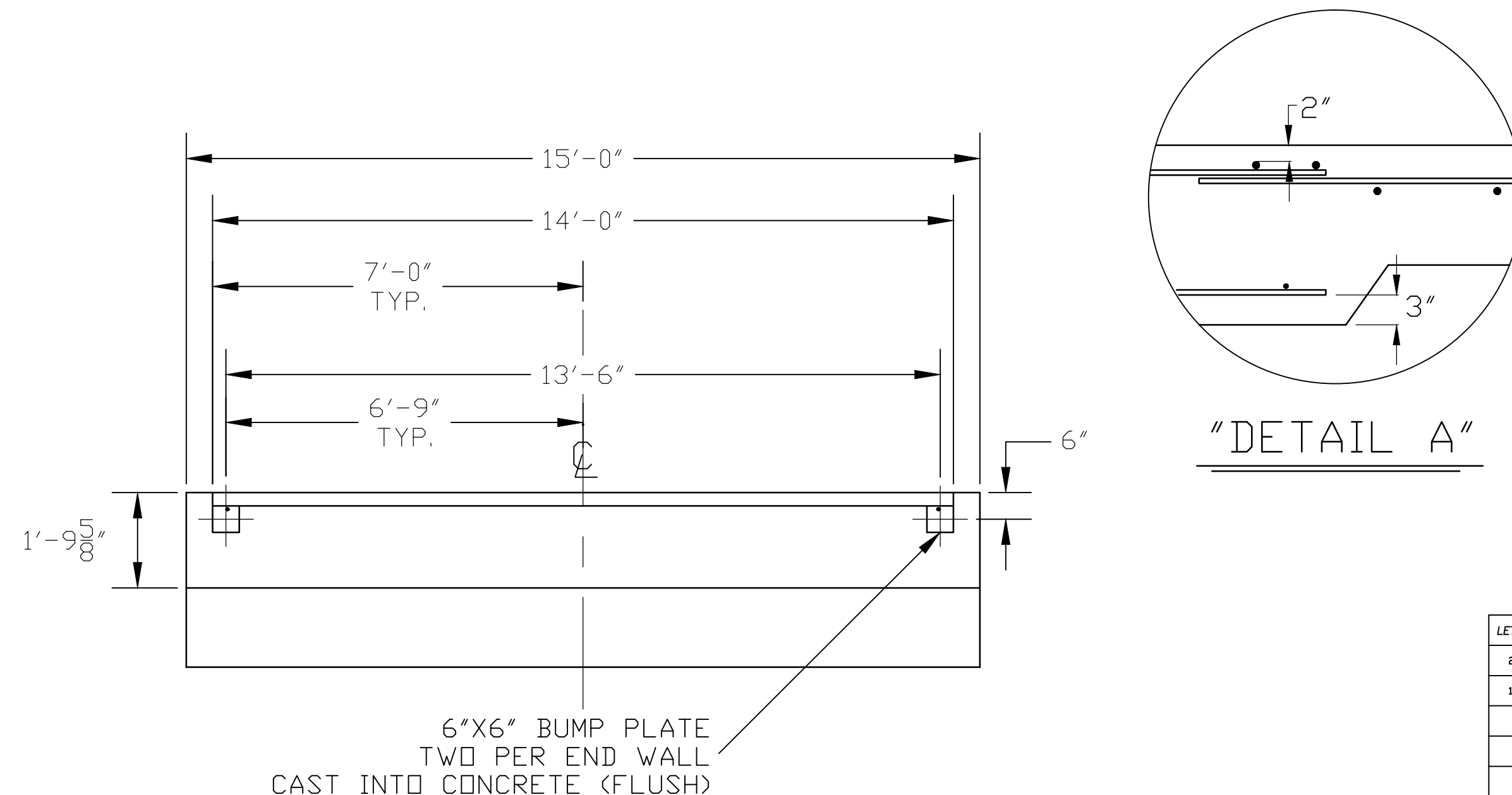
FOUNDATION REINFORCING BAR SCHEDULE ASTM A615 GRADE 60				
MARK NO.	REQ'D.	SIZE	LENGTH	WT.
HR1	283	#4	14'-6"	2742
HR2	120	#4	5'-6"	441
HR3	30	#4	9'-6"	191
VR1	60	#4	2'-9"	111
TOTAL WT:				3485

REINFORCING STEEL NOTES:
 1. REINFORCING STEEL SHALL BE FREE OF ALL MUD, DEBRIS,
 CEMENT GROUT, LOOSE RUST, GREASE, AND OIL.
 2. TACK WELDING OF BARS IS PROHIBITED.

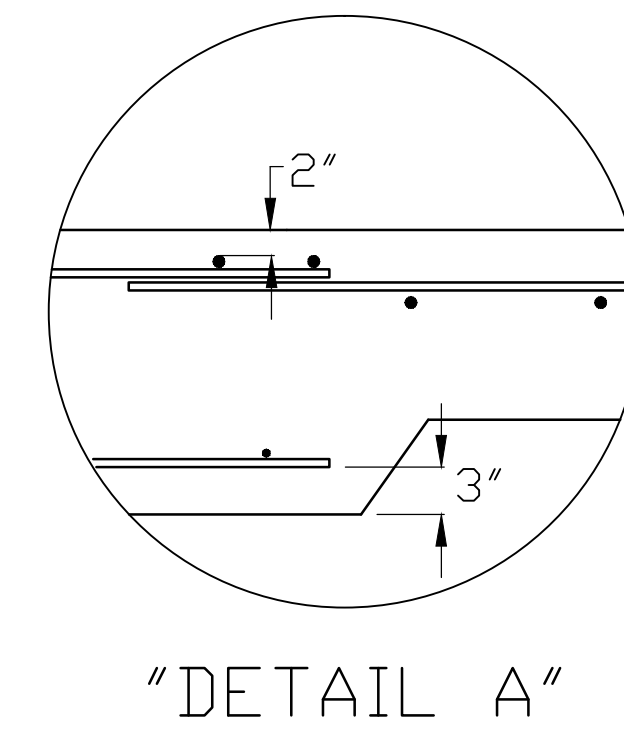


DRILL TYPE ANCHOR INFORMATION
 (DRILL TYPE ANCHORS PROVIDED WITH THE SCALE)
 FOR THE LC STANDS (16 REQUIRED)
 5/8 DIA X 6" STUD TYPE ANCHORS
 DRILL DIA 5/8", DRILL DEPTH 3 1/2"

ANCHOR DETAIL



SECTION A-A END WALL/BUMPS



"DETAIL A"

NOTES:

- FOUNDATION SHOWN IS DESIGNED FOR SOILS WITH A MINIMUM BEARING CAPACITY OF 2000 PSF AND ADEQUATE DRAINAGE. IF SOIL CONDITIONS DO NOT MEET THESE REQUIREMENTS, ADJUST FOUNDATION OR SOIL CONDITIONS AS REQUIRED.
- IN AREAS OF THE COUNTRY WHERE THERE IS SEVERE FREEZING, INCREASE THE DEPTH OF THE FOUNDATION SO THAT THE BOTTOM EXTENDS BELOW THE FROST LINE, OR PROVIDE A MINIMUM OF 12" FREE DRAINING GRANULAR MATERIAL TO PREVENT FROST HEAVE.
- N.I.S.T. H-44 REQUIREMENTS AND LOCAL WEIGHTS AND MEASURES REGULATIONS MAY REQUIRE INSTALLATION PARAMETERS SOMEWHAT DIFFERENT THAN ILLUSTRATED ON THIS PLAN. IN ORDER TO INSURE COMPLIANCE, CONSULT THE LOCAL WEIGHTS & MEASURES OFFICE PRIOR TO CONSTRUCTION.
- REFER TO SCALE MANUAL FOR INSTALLATION AND OPERATION INSTRUCTIONS.
- A MINIMUM OF 24" OF CLEARANCE IS REQUIRED ON JUNCTION BOX SIDE OF THE SCALE NEAR THE BOX MOUNTS.

THIS DRAWING IS SUPPLIED AS CHECKED BELOW:
 REFERENCE (ESTIMATES ONLY, NOT FOR CONSTRUCTION)
 CERTIFIED FOR CONSTRUCTION, THURMAN #
 CUSTOMER:
 CUSTOMER P.O.# _____ DATE: _____
 CUSTOMER APPROVAL, RETURN ONE COPY.
 (ORDER ON HOLD UNTIL SIGNED COPY IS RETURNED)
 APPROVED AS DRAWN, APPROVED BY: _____ DATE: _____
 APPROVED AS NOTED, APPROVED BY: _____ DATE: _____

LET	BY	DATE	REVISION
2	JCR	2/1/12	REVISED APPROACH NOTE, ADDED EXTRA HOLES FOR LOAD CELL CABLES
1	JCR	9/26/11	MOVED BASE MODULE TO CENTER OF SCALE

THURMAN SCALE COLUMBUS, OH	
8560 DIAMONDBACK XD 130K CLC 70' X 14' FULL SLAB 4 SECTION, DB LC	
DATE	7/29/10
SCALE	N/A
DRAWN BY	BAL
CHECKED BY	
APPROVED BY	
DRAWING NUMBER	92442-SL
REVISION	2