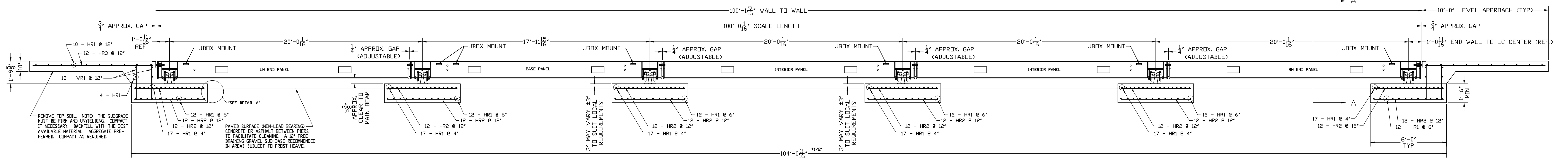


PLAN VIEW



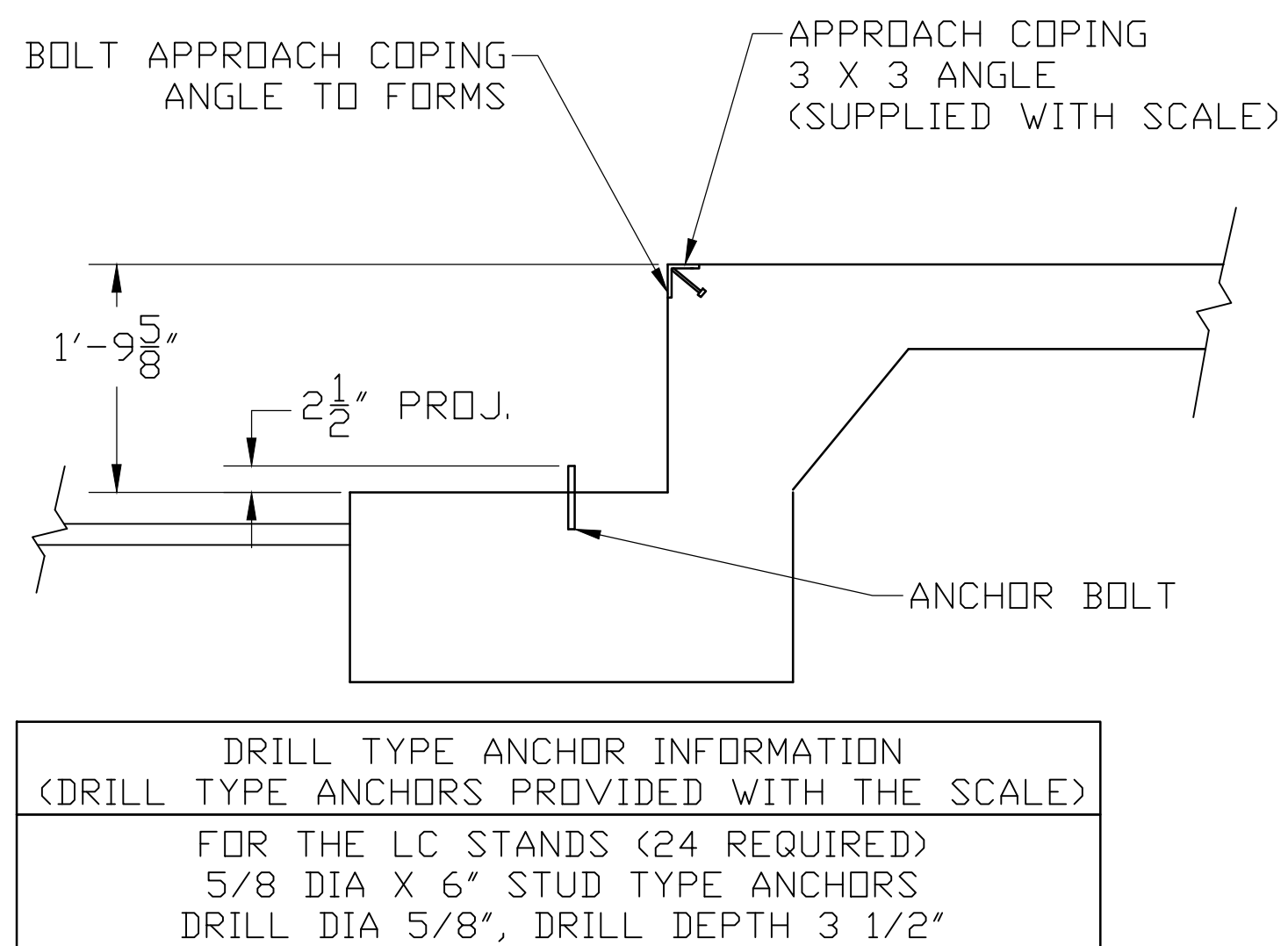
ELEVATION SECTION

FOUNDATION CONCRETE REQUIREMENTS 4000 P.S.I.	
AREA	QUANTITIES
PIERS AS SHOWN	24 CU. YD.
APPROACHES	10 CU. YD.
FLOOR AT 2" THICK	5 CU. YD.
TOTAL	39 CU. YD.

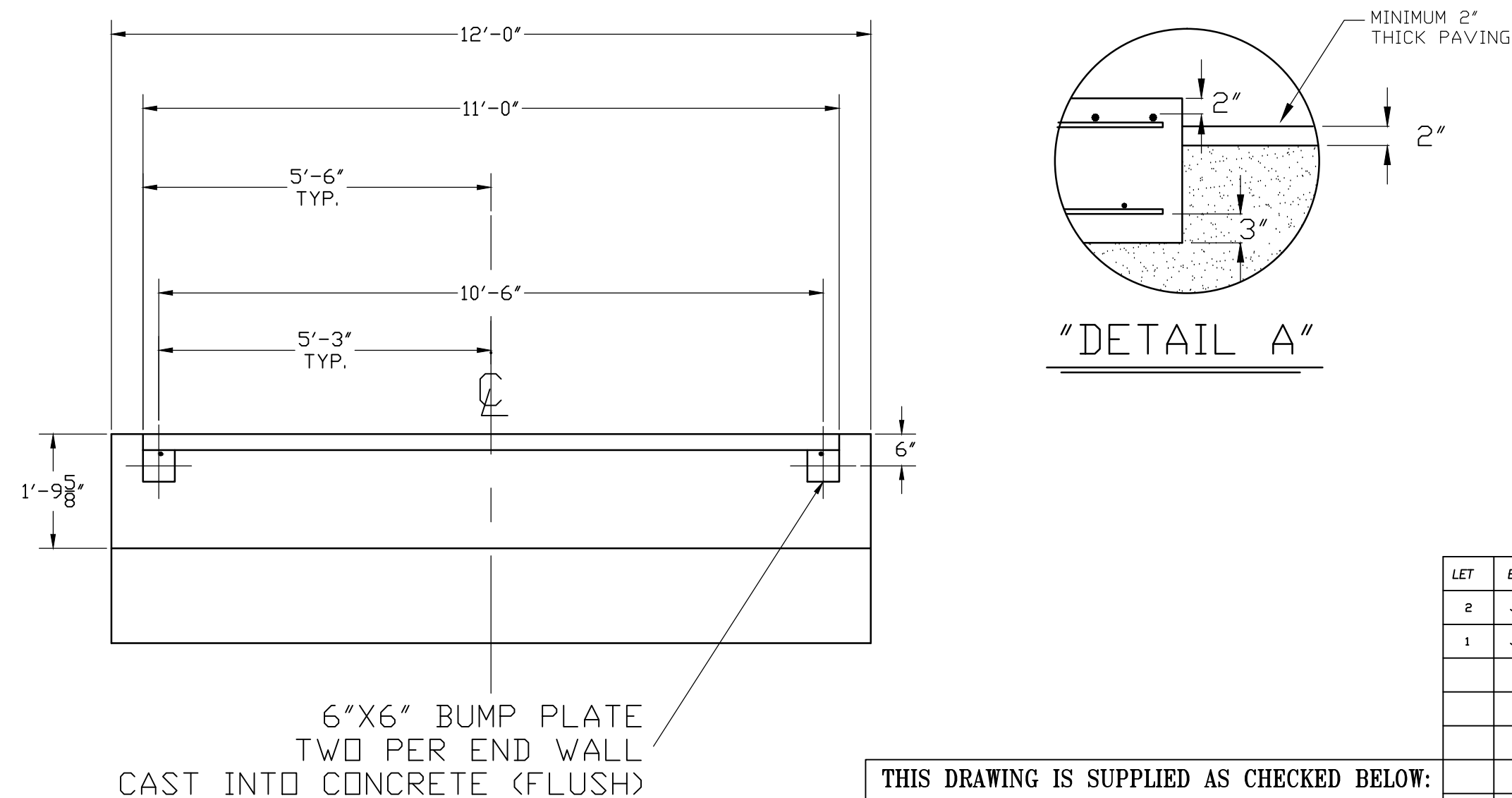
FOUNDATION REINFORCING BAR SCHEDULE ASTM A615 GRADE 60				
MARK NO.	REQ'D.	SIZE	LENGTH	WT.
HR1	202	#4	11'-6"	1552
HR2	144	#4	5'-6"	529
HR3	24	#4	9'-6"	152
VR1	48	#4	2'-9"	88
TOTAL WT:				2321

REINFORCING STEEL NOTES:

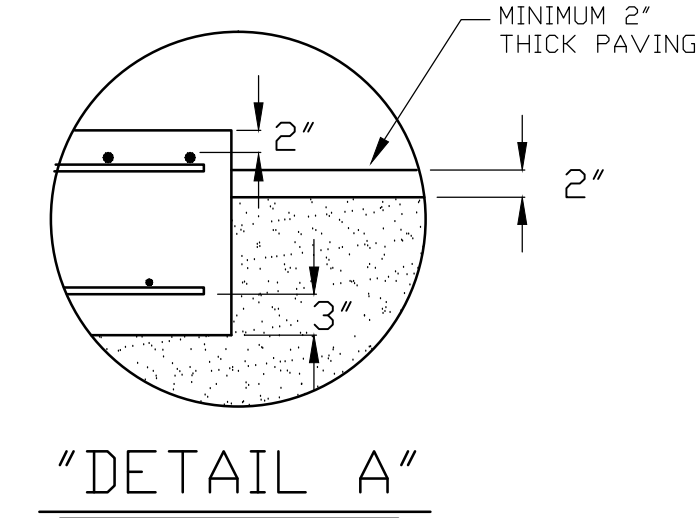
1. REINFORCING STEEL SHALL BE FREE OF ALL MUD, DEBRIS, CEMENT GROUT, LOOSE RUST, GREASE, AND OIL.
2. TACK WELDING OF BARS IS PROHIBITED.



ANCHOR DETAIL



SECTION A-A END WALL/BUMPS



THIS DRAWING IS SUPPLIED AS CHECKED BELOW:

- REFERENCE (ESTIMATES ONLY, NOT FOR CONSTRUCTION)
- CERTIFIED FOR CONSTRUCTION, THURMAN #
- CUSTOMER: _____ DATE: _____
- CUSTOMER P.O.# _____
- CUSTOMER APPROVAL, RETURN ONE COPY (ORDER ON HOLD UNTIL SIGNED COPY IS RETURNED)
- APPROVED AS DRAWN, APPROVED BY: _____ DATE: _____
- APPROVED AS NOTED, APPROVED BY: _____ DATE: _____

LET	BY	DATE	REVISION
2	JCR	2/1/12	REVISED APPROACH NOTE; ADDED EXTRA HOLES FOR LOAD CELL CABLES
1	JCR	9/21/11	MOVED BASE MIDDLE TO CENTER OF SCALE, CHANGED NUMBER OF LC ANCHORS REQUIRED (WAS 20) MADE FROM 92444-FT

8560 DIAMONDBACK XD	
130K CLC 100' X 11'	
FOUNDATION (6 SECTION, DB LC)	
DATE	05/25/10
SCALE	N/A
DRAWN BY	LB
CHECKED BY	
APPROVED BY	
DRAWING NUMBER	146847-FT
REVISION	2

NOTES:

1. FOUNDATION SHOWN IS DESIGNED FOR SOILS WITH A MINIMUM BEARING CAPACITY OF 3000 PSF AND ADEQUATE DRAINAGE. IF SOIL CONDITIONS DO NOT MEET THESE REQUIREMENTS, ADJUST FOUNDATION OR SOIL CONDITIONS AS REQUIRED.
2. IN AREAS OF THE COUNTRY WHERE THERE IS SEVERE FREEZING, INCREASE THE DEPTH OF THE FOUNDATION SO THAT THE BOTTOM EXTENDS BELOW THE FROST LINE, OR PROVIDE A MINIMUM OF 12" FREE DRAINING GRANULAR MATERIAL TO PREVENT FROST HEAVE.
3. N.I.S.T. H-44 REQUIREMENTS AND LOCAL WEIGHTS AND MEASURES REGULATIONS MAY REQUIRE INSTALLATION PARAMETERS SOMEWHAT DIFFERENT THAN ILLUSTRATED ON THIS PLAN. IN ORDER TO INSURE COMPLIANCE, CONSULT THE LOCAL WEIGHTS & MEASURES OFFICE PRIOR TO CONSTRUCTION.
4. REFER TO SCALE MANUAL FOR INSTALLATION AND OPERATION INSTRUCTIONS.
5. A MINIMUM OF 24" OF CLEARANCE IS REQUIRED ON JUNCTION BOX SIDE OF THE SCALE NEAR THE BOX MOUNTS.